

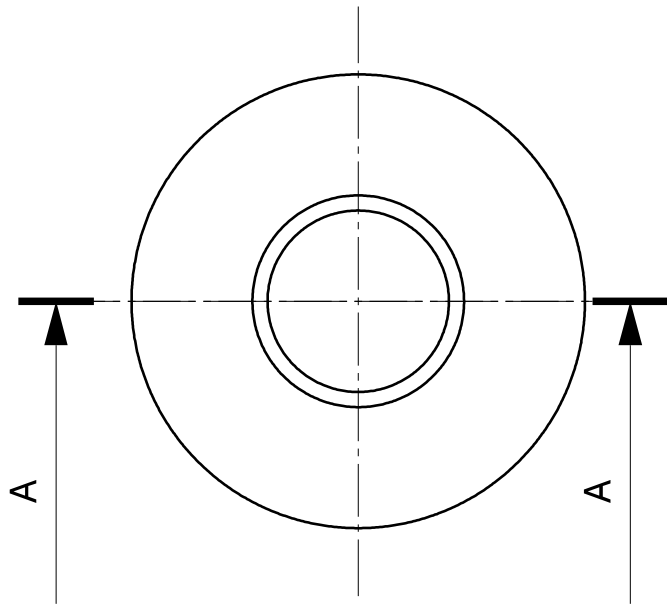
4 3 2 1

m

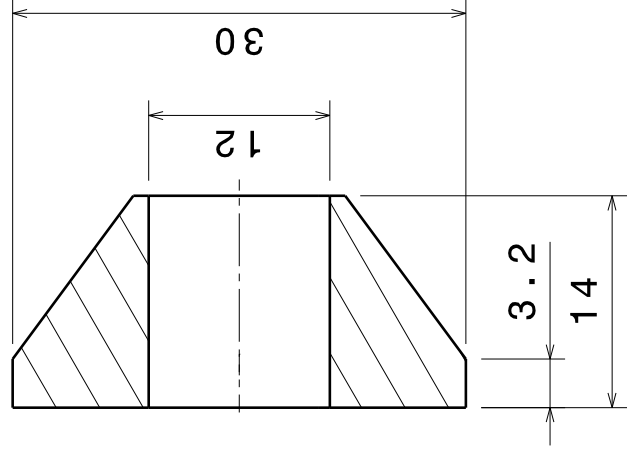
c

d

4 3 2 1



Vue de face
Echelle : 2:1



Coupe A-A
Echelle : 2:1

Tolérances générales ISO 2768-mK

Observation		PART		Matériau	
		Entretroise roue Ar		EN-AW 2017	
SIZE	DESIGNED BY:	PRODUCT			
A4	XXX	XXX			
SCALE	DATE:				
1:1	08/03/2004				
		Lycée G. CABANIS - 19100 BRIVE			
This drawing is our property; it can't be reproduced or communicated without our written agreement.					

A

D